



# VINCA

**EQUIPOS INDUSTRIALES**



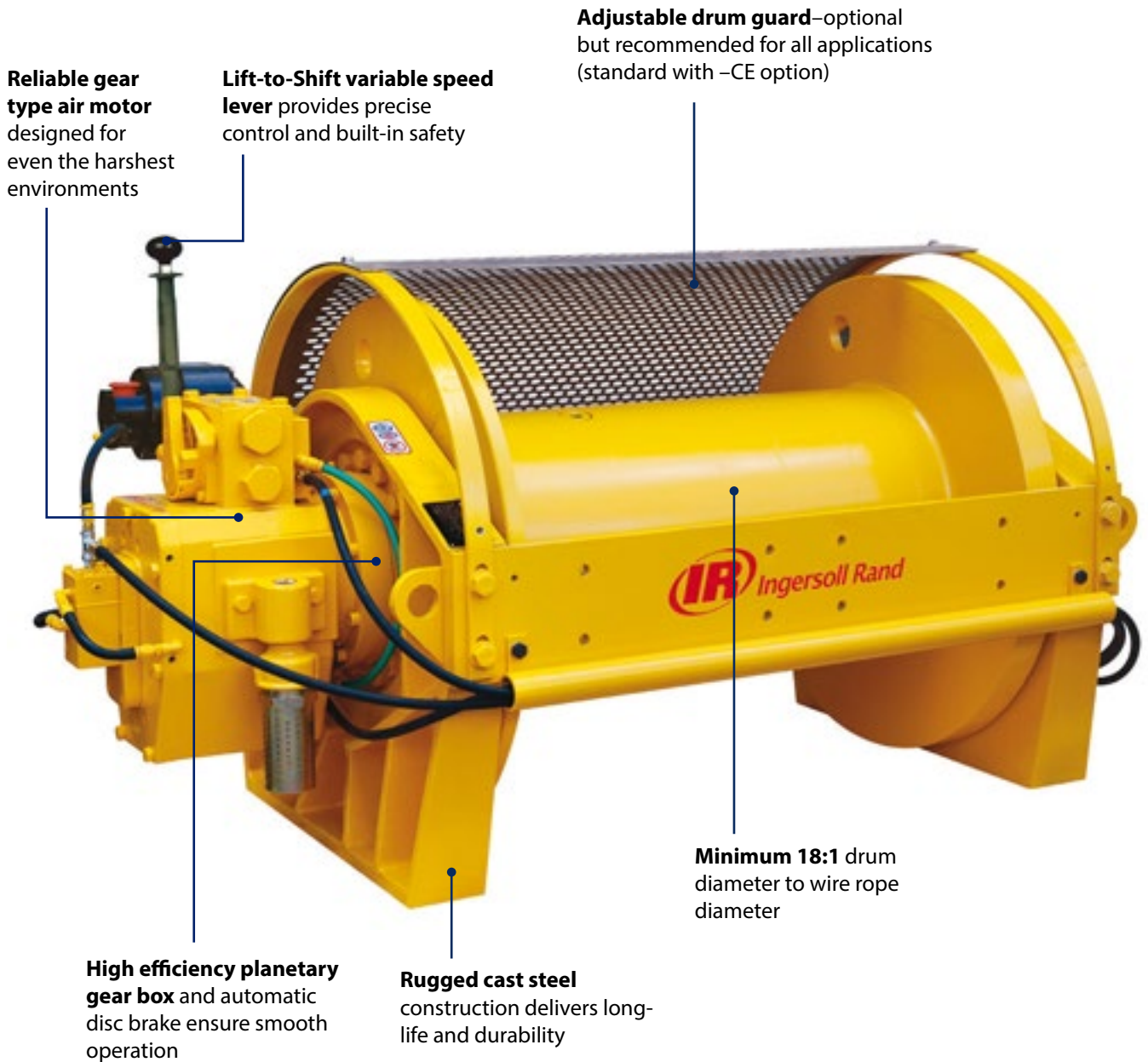
## Winches

Liftstar heavy air winch

12.1\_liftstar-heavy-air-winch\_en

**Liftstar Heavy Air Winch**

**2.000 - 5.000 kg**



**Reliable gear type air motor** designed for even the harshest environments

**Lift-to-Shift variable speed lever** provides precise control and built-in safety

**Adjustable drum guard**—optional but recommended for all applications (standard with -CE option)

**High efficiency planetary gear box** and automatic disc brake ensure smooth operation

**Rugged cast steel** construction delivers long-life and durability

**Minimum 18:1** drum diameter to wire rope diameter

Ideal for:



Onshore



Offshore



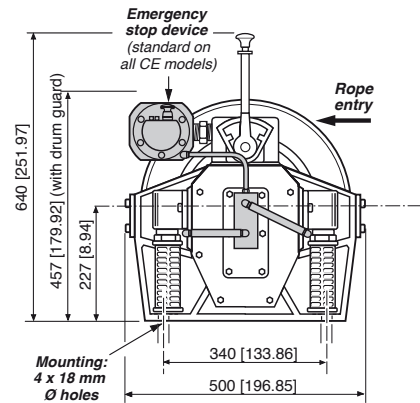
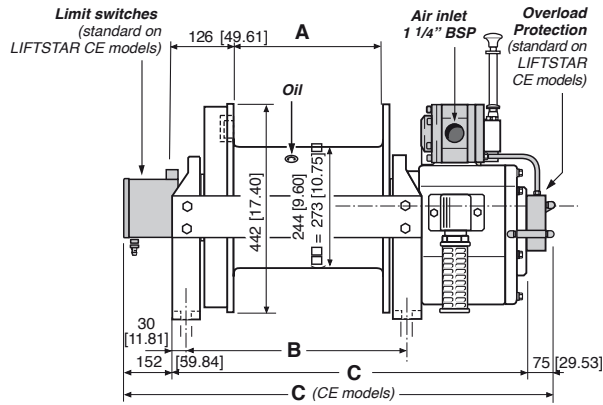
Marine

Tel: (+34) 93 635 61 20 - info@vinca.es - www.vinca.es

# Liftstar heavy air winch

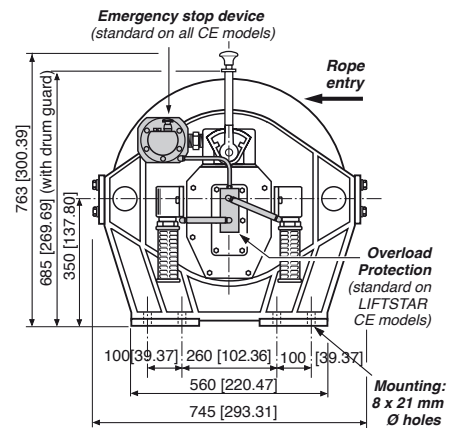
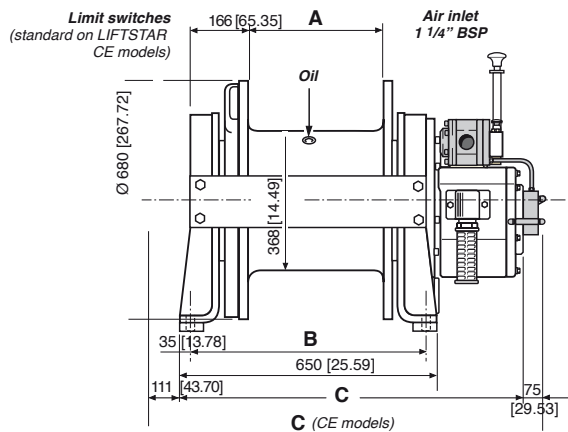
## 2.000 - 5.000 kg

Ingersoll Rand Liftstar heavy winches incorporate a cast iron and steel design with a rugged gear motor for ultimate durability. They are available with options to suit any need no matter where in the world you operate. Reliable and simple to maintain, Liftstar winches are specifically built for the types of environments where lesser winches would fail.



CE Models	A mm	B mm	C mm
LS2000R-L-CE	302	449	952
LS2000RGC-L-CE	485	634	1.137

Non CE Models	A mm	B mm	C mm
LS2000R-L	302	449	794
LS2000RGC-L	485	634	904



CE Models	A mm	B mm	C mm
LS5000R-L-CE	355	580	1.090
LS5000RGC-L-CE	728	953	1.463

Non CE Models	A mm	B mm	C mm
LS5000R-L	355	580	904
LS5000RGC-L	728	953	1.277

Dimensions shown are mm. Dimensions are subject to change. Contact factory for certified drawings.

Tel: (+34) 93 635 61 20 - info@vinca.es - www.vinca.es

# Liftstar heavy air winch



Automatic spooling device



Grooved Drum



Rope press rollers assembly

General Performance. Performance based on a 5:1 design factor

Model	Line Pull Capacity (kg)			Line Speed (m/min)		
	First Layer	Mid Drum	Top Layer	First Layer	Mid Drum	Top Layer
LS2000R-L	2800	2400	2000	20	20	20
LS2000RGC-L						
LS5000R-L	6500	5750	5000	10	10	10
LS5000RGC-L						

General Characteristics. Performance at 6.3 bar air inlet pressure with the motor running

Model	Motor	Lifting Speed at Top Layer	Air Consumption with Rated Load	Air Volume Needed to Move Rated Load at Top Layer	Stall	Sound Level as per EN 14492-1	Net Weight
	kg	m/min	m <sup>3</sup> /min	3 m	kg	dB	kg
LS2000R-L	10,7	20	5	10	3.953	95	230
LS2000RGC-L							283
LS5000R-L		10	10	3,0	11.968	87	645
LS5000RGC-L							760

Tel: (+34) 93 635 61 20 - info@vinca.es - www.vinca.es

# Liftstar heavy air winch

## Drum capacity

Model	Minimum Rope Breaking Force <sup>(1)</sup>	Recommended Rope Diameter	Drum Capacity per Layer <sup>(2)</sup>						Max. Rope Storage Capacity <sup>(3)</sup>
	kN		mm	Layer 1	Layer 2	Layer 3	Layer 4	Layer 5	
LS2000R-L	98	13	17	36	57	79	103	-	156
LS2000RGC-L			31	65	102	142	-	-	230
LS5000R-L	244	20	20	42	66	92	120	150	182
LS5000RGC-L			41	88	138	193	252	316	384

(1) Recommended minimum breaking force of wire rope based on top layer line pull rating.

(2) Drum Capacity is based on tightly wound wire rope and 1/2" freeboard from the top of the flange to the top layer. Recommended drum working capacity is 80% of values shown.

(3) Max storage capacity is tightly wound with no freeboard.

Official distributor of:





## VINCA products

- Bridges crane and gantry cranes
- Jib cranes
- Hoists and winches
- Scissor Tables and scissor lifts
- Elevators/Lifts for loads (PLT)
- Dock levelers
- Moving Dock levelers (RMC)
- Coats Furniture
- Wheel-lok (Vehicle Immobilizer)
- Safety equipment for docks
- Vacuum lifters VACU-LIFT
- Industrial Manipulators
- Pallet Inverters /Tippers
- Levelers NIVELMATIC
- Tilters inclinador
- Skips
- Industrial fans
- Industrial flexible doors, high speed doors
- Cold storage doors
- Fire doors
- Safety gates DOK-GUARDIAN
- Festoon for mobile equipment
- Lifting appliances
- Industrial Radio Controls
- After Sales Service for above equipment

 ATEX classified equipment as option.



C/ Técnica, 39  
Pol. Ind. Torre Bovera  
08740 St. Andreu de la Barca  
BARCELONA  
[www.vinca.es](http://www.vinca.es)



### BARCELONA

Tel 93 635 61 20  
Fax 93 635 61 30  
[info@vinca.es](mailto:info@vinca.es)

### MADRID

Tel: (+34) 616 91 69 82  
[madrid@vinca.es](mailto:madrid@vinca.es)

### VALENCIA

Tel: (+34) 647 817 537  
[valencia@vinca.es](mailto:valencia@vinca.es)

### GALICIA

Tel: (+34) 648 923 832  
[galicia@vinca.es](mailto:galicia@vinca.es)