

Liftchain Trolley Mount Air Chain Hoist

1.5-100 ton

All steel construction
for better durability

Trolleys available in plain, gear or motorized versions for maximum adaptability

Fully enclosed, automatic multi disc brake for corrosion resistance

Integrated upper and lower limit switches for better protection

Water drain holes to prevent water from being trapped in the block and corroding

Ball bearing mounted bottom hook for easier, smoother turning under load

Corrosion resistant grade 80 load chain

Ideal for:



Shipbuilding



Metals



Heavy Construction

Liftchain Trolley Mount Air Chain Hoist

1.5-100 tons

Ingersoll Rand Liftchain Hoists are the most advanced heavy-lifting hoists in the Ingersoll Rand hoist line. They incorporate all the best features we've developed from our decades of experience into a compact, modular frame. Trolley Mounted versions allow you to move the load along a beam to place it exactly where you need it. Whether you need a plain, geared or motorized trolley, count on Liftchain trolley mounted hoists to get the job done.

General Characteristics							
Model	Lifting Capacity Metric Tons	Reeves of Chain	Headroom mm (in)	Trolley Flange Adjustment Range mm (in)	Hoist Weight with 3m (10ft) of chain kg (lb)	Trolley Weight kg (lb)	Weight per additional meter of lift kg (lb)
LC2A015SI	1.5	1	480 (18.9)	80-200 (3.2-7.9)	38 (84)	57 (126)	1.5 (3.3)
LC2A030DI	3	2	592 (23.3)	80-200 (3.2-7.9)	48 (106)	55 (121)	3.0 (6.6)
LC2A040SI	4	1	590 (23.2)	80-200 (3.2-7.9)	90 (198)	55 (121)	3.8 (8.4)
LC2A060QI	6	4	702 (27.6)	100-310 (3.9-12.2)	74 (163)	143 (315)	6.0 (13.2)
LC2A060SI	6	1	730 (28.7)	100-310 (3.9-12.2)	125 (276)	142 (313)	5.7 (12.6)
LC2A080DI	8	2	815 (32.1)	100-310 (3.9-12.2)	118 (260)	142 (313)	7.6 (16.8)
LC2A120DI	12	2	995 (39.2)	130-310 (5.1-12.2)	170 (375)	182 (401)	11.4 (25.1)
LC2A125SI	12.5	1	1000 (39.4)	160-310 (6.3-12.2)	395 (871)	175 (386)	10.7 (23.6)
LC2A180TI	18	3	1195 (47.1)	140-310 (5.5-12.2)	277 (611)	375 (826)	17.1 (37.7)
LC2A250QI	25	4	1240 (48.8)	140-310 (5.5-12.2)	324 (714)	376 (829)	23.0 (50.7)
LC2A250DI	25	2	990 (39.0)	160-310 (6.3-12.2)	558 (1,230)	377 (831)	21.4 (47.2)
LC2A375TI	37.5	3	1134 (44.6)	160-310 (6.3-12.2)	855 (1,885)	730 (1,609)	32.1 (70.8)
LC2A500QI	50	4	1182 (46.5)	160-310 (6.3-12.2)	965 (2,127)	770 (1,698)	42.8 (94.4)
LCA750TI	75	3	1845 (72.6)	160-310 (6.3-12.2)	1,700 (3,748)	2,800 (6,172)	73.5 (162.0)
LCA1000QI	100	4	1901 (74.8)	160-310 (6.3-12.2)	2,200 (4,850)	2,500 (5,512)	98.0 (216.1)

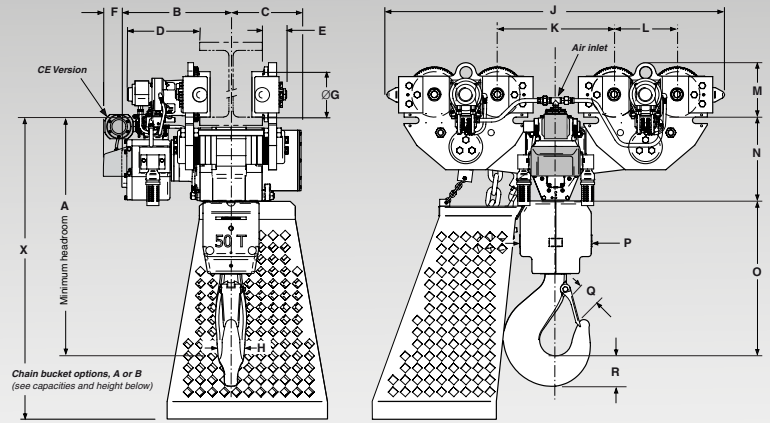
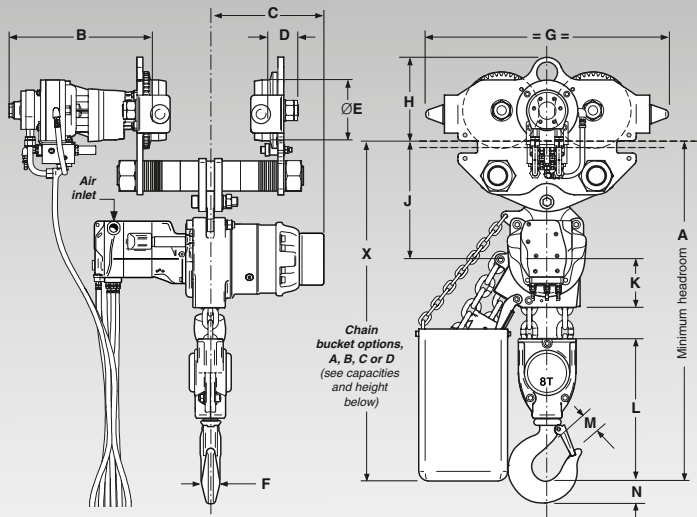
Performance											
Model	Lifting Capacity Metric Tons	Hoist Performance					Trolley Performance				
		Lifting Speed			Required Air Flow m ³ /min (cfm)	Working Air Pressure bar (psi)	Powered Trolley Traverse Speed ⁽¹⁾ m/min (fpm)	Required Air Flow m ³ /min (cfm)	Working Hydraulic Pressure bar (psi)	Minimum Curve Radius m (ft)	Sound Level dbA
		Full Load m/min (fpm)	No Load m/min (fpm)	Lowering speed m/min (fpm)							
LC2A015SI	1.5	6.2 (20.3)	11 (36.1)	8.5 (27.9)	4 (141)	6.3 (90)	21 (69)	1.3 (45.9)	6.3 (90)	2 (6.6)	78
LC2A030DI	3	3 (9.8)	5.5 (18)	4 (13.1)	4 (141)	6.3 (90)	17 (56)	1.3 (45.9)	6.3 (90)	2 (6.6)	78
LC2A040SI	4	3.9 (12.8)	7 (23)	4.5 (14.8)	4.5 (159)	6.3 (90)	15 (49)	1.3 (45.9)	6.3 (90)	2 (6.6)	76
LC2A060QI	6	1.5 (4.9)	2.5 (8.2)	2 (6.6)	4 (141)	6.3 (90)	15 (49)	1.3 (45.9)	6.3 (90)	3 (9.9)	78
LC2A060SI	6	2.2 (7.2)	3.6 (11.8)	2.7 (8.9)	5.2 (184)	6.3 (90)	15 (49)	1.3 (45.9)	6.3 (90)	3 (9.9)	79
LC2A080DI	8	1.8 (5.9)	3.5 (11.5)	2.2 (7.2)	4.4 (155)	6.3 (90)	12 (40)	1.3 (45.9)	6.3 (90)	3 (9.9)	76
LC2A120DI	12	1.1 (3.6)	1.8 (5.9)	1.3 (4.3)	5 (177)	6.3 (90)	12 (40)	1.5 (53.0)	6.3 (90)	3 (9.9)	79
LC2A125SI	12.5	3.2 (10.5)	6 (19.7)	5 (16.4)	10 (353)	6.3 (90)	15 (49)	1.5 (53.0)	6.3 (90)	3 (9.9)	93
LC2A180TI	18	0.7 (2.3)	1.2 (3.9)	0.9 (3)	5 (177)	6.3 (90)	15 (49)	1.9 (67.1)	6.3 (90)	5 (16.4)	79
LC2A250QI	25	0.5 (1.6)	0.9 (3)	0.6 (2)	5 (177)	6.3 (90)	15 (49)	1.9 (67.1)	6.3 (90)	5 (16.4)	79
LC2A250DI	25	1.6 (5.2)	3 (9.8)	2.5 (8.2)	10 (353)	6.3 (90)	12 (40)	3 (106)	6.3 (90)	50 (164)	93
LC2A375TI	37.5	1.1 (3.6)	2 (6.6)	2 (6.6)	10 (353)	6.3 (90)	15 (49)	3.8 (134)	6.3 (90)	90 (295)	93
LC2A500QI	50	0.8 (2.6)	1.5 (4.9)	1.5 (4.9)	10 (353)	6.3 (90)	15 (49)	3.8 (134)	6.3 (90)	90 (295)	93
LCA750TI	75	0.4 (1.3)	0.7 (2.3)	0.7 (2.3)	10 (353)	6.3 (90)	15 (49)	7.6 (268)	6.3 (90)	130 (427)	93
LCA1000QI	100	0.3 (1)	0.5 (1.6)	0.5 (1.6)	10 (353)	6.3 (90)	15 (49)	7.6 (268)	6.3 (90)	130 (427)	93

Performance test conducted per European standard EN range 14492-2.

⁽¹⁾ Rack and pinion trolley configuration traverse speed is 50% of speed stated in table above.

1.5 to 25 t capacity (except model 25t double falls)

25 to 100 t capacity (except model 25t with 4 falls)



Dimensions shown are mm. Dimensions in Brackets [] are inches. Dimensions are subject to change. Contact factory for certified drawings.

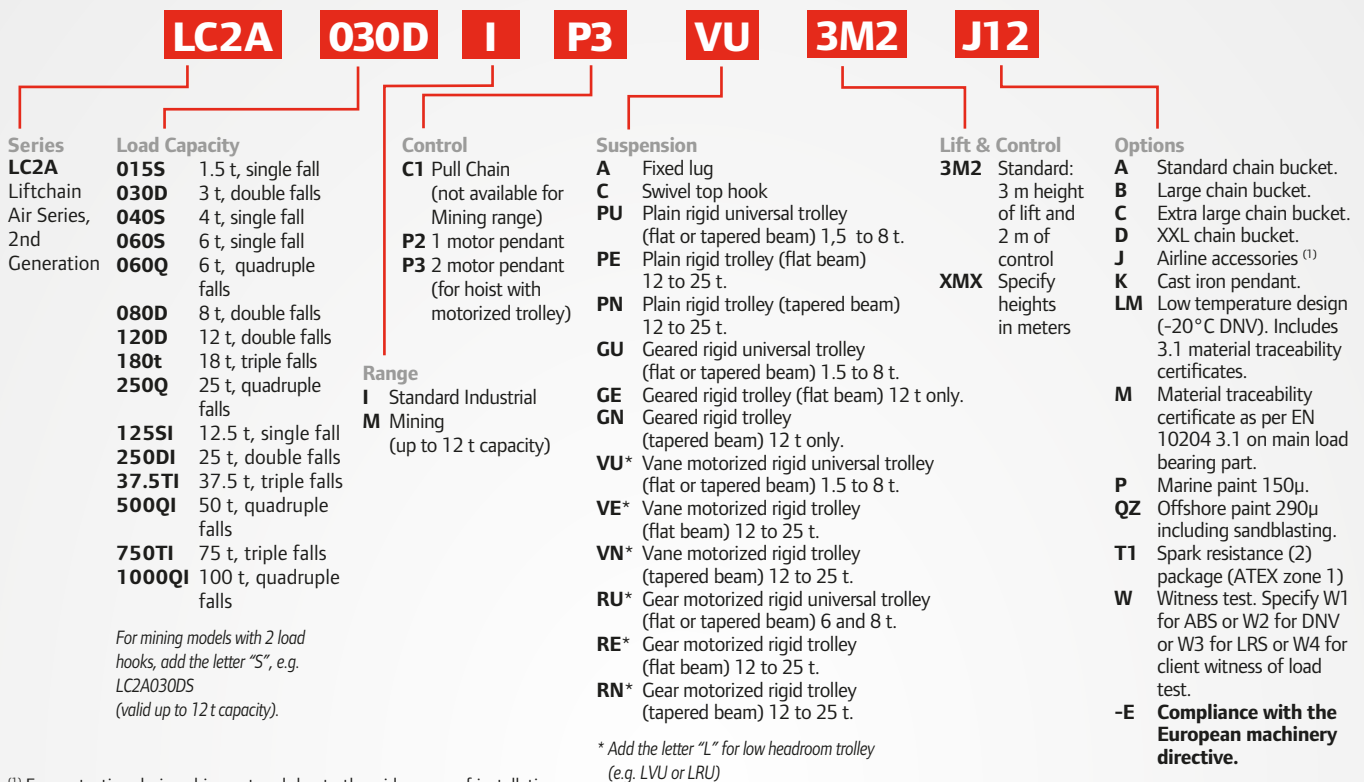
Model	A	B	C	D	E	F	G	H	J	K	L	M	N	Air Inlet Ø
LC2A015SI	480	190	210	60	120	—	436	155	244	90	146	27	30	3/4" BSP
LC2A030DI	592	190	210	60	120	—	436	155	244	90	257	35	37	3/4" BSP
LC2A040SI	590	284	300	60	120	—	436	147	273	127	190	35	37	1" BSP
LC2A060QI	702	290	250	82	160	—	640	220	315	90	296	43	50	3/4" BSP
LC2A060SI	730	290	310	82	160	—	640	220	350	152	228	43	50	1" BSP
LC2A080DI	815	380	300	82	160	—	640	220	313	127	373	53	60	1" BSP
LC2A120DI	995	410	310	91	160	—	622	220	420	152	424	58	67	1" BSP
LC2A125SI	1000	313	265	87	160	57	622	220	498	201	296	58	67	1 1/4" BSP (1)
LC2A180TI	1195	360	390	125	225	—	790	270	558	152	484	78	80	1" BSP
LC2A250QI	1240	360	370	125	225	—	790	270	558	152	530	87	96	1" BSP

Model	A	B	C	D	E	F	G	H	J	K	L	M	N	O	P	Q	R	Air Inlet Ø (1)
LC2A250DI	990	460	265	313	87	91	160	84	1362	500	240	220	411	572	276	87	120	1 1/4" BSP
LC2A375TI	1134	514	373	358	121	91	225	125	1672	578	312	270	416	714	298	103	140	1 1/4" BSP
LC2A500QI	1182	541	346	358	121	91	225	140	1672	578	312	270	416	763	352	118	160	1 1/4" BSP
LCA750TI	1880	700	553	550	121	NA	225	150	3370	NA	312	270	790	1055	420	153	190	1 1/4" BSP
LCA1000QI	1936	700	553	550	121	NA	225	150	3370	NA	312	270	790	1111	490	184	250	1 1/4" BSP

Chain Bucket Capacity And Height – A, B, C or D Options

Model	Chain Bucket, Type A		Chain Bucket, Type B		Chain Bucket, Type C		Chain Bucket, Type D					
	Bucket Material	Corresponding Height of Lift Capacity	Bucket Material	Corresponding Height of Lift Capacity	Bucket Material	Corresponding Height of Lift Capacity	Bucket Material	Corresponding Height of Lift Capacity				
		(m)	(mm)	(m)	(mm)	(m)	(mm)	(m)	(mm)			
LC2A015SI	Canvas	12	700	Canvas	30	800	Canvas	60	900	Metal	80	TBA
LC2A030DI	Canvas	6	712	Canvas	15	812	Canvas	30	912	Metal	40	TBA
LC2A040SI	Canvas	12	856	Canvas	25	956	Metal	40	1116	Metal	60	1156
LC2A060QI	Canvas	3	769	Canvas	7.5	869	Canvas	15	969	Metal	20	TBA
LC2A060SI	Canvas	12	1065	Metal	26	1265	Metal	40	1265	Metal	60	1445
LC2A080DI	Canvas	6	896	Canvas	12.5	996	Metal	20	1156	Metal	30	1196
LC2A120DI	Canvas	6	1135	Metal	13	1335	Metal	20	1335	Metal	30	1515
LC2A125SI	Metal	30	1564	Metal	60	1779	—	—	—	—	—	—
LC2A180TI	Canvas	4	1273	Metal	8.5	1473	Metal	13	1473	Metal	20	1653
LC2A250QI	Canvas	3	1273	Metal	6.5	1473	Metal	10	1473	Metal	15	1653
LC2A250DI	Metal	15	1276	Metal	30	1491	—	—	—	—	—	—
LC2A375TI	Metal	10	1281	Metal	20	1496	—	—	—	—	—	—
LC2A500QI	Metal	7.5	1281	Metal	15	1496	—	—	—	—	—	—
LCA750TI	Metal	10	1980	Metal	20	2555	—	—	—	—	—	—
LCA1000QI	Metal	7.5	1980	Metal	15	2555	—	—	—	—	—	—

How to Order



⁽¹⁾ For protection during shipment and due to the wide range of installation variables, the airline accessories are shipped loose for client installation. Specify J1: Filter, J2: Lubricator, J3: Regulator or numerical combination.

⁽²⁾ Option T1 includes the following:
 For the hoist: Cast iron pendant and bronze coated bottom hook assembly
 For the trolley: Solid bronze wheels (all trolleys).
 In addition for motorized trolleys, pinion drive in solid bronze or stainless steel and cast iron pendant.
 In addition for geared trolleys, bronze coated hand wheel with brass hand chain guide.

* Add the letter "L" for low headroom trolley (e.g. LVU or LRU)

* Add the letter "R" for rack & pinion configuration (e.g. RER). Only available for gear motor trolleys, or for LC2A015SI, LC2A030DI, LC2A040SI with vane motor.



For More Information www.ingersollrandproducts.com/lifting lifting@irco.com

Ingersoll Rand, IR, the IR logo and Impactool are trademarks of Ingersoll Rand, its subsidiaries and/or affiliates. All other trademarks are the property of their respective owners. Nothing contained on these pages is intended to extend any warranty or representation, expressed or implied, regarding the product described herein. Any such warranties or other terms and conditions of sale of products shall be in accordance with Ingersoll Rand's standard terms and conditions of sale for such products, which are available upon request. Product improvement is a continuing goal at Ingersoll Rand. Designs and specifications are subject to change without notice or obligation. Unless otherwise noted this equipment is not designed for transporting people or lifting loads over people. It is the user's responsibility to determine the suitability of this product for any particular use and to check compliance with applicable regulations. Before installation, see maintenance and operations manual for additional warnings and precautions.

www.ingersollrandproducts.com

© 2015 Ingersoll Rand IRITS-0715-122