

Jib Cranes

17.1 Sockets Extensions & Pedestals



VINCA
EQUIPOS INDUSTRIALES



Sockets, Extensions & Pedestals

We manufacture a range of standard sockets, socket extensions and pedestals that are fully compatible with our davit range which can be used for goods lifting, personnel lifting and in many cases fall protection applications. They are also suitable for a variety of structures [subject to engineer approval]. Available in aluminium, galvanised steel and stainless steel. We can also manufacture customised sockets and pedestals on request. Our socket extensions are designed to provide additional height of reach over obstacles, protective rails or walls.



> Sockets

Our sockets are fully compatible with our davit range and are suitable for a variety of structures. Available in aluminium, galvanised steel and stainless steel.

We offer sockets with two kingpin diameter sizes [65mm and 95mm] to fit our range of davits.

Our socket options includes:

- > **Top Mount**
- > **Side Mount**
- > **Bridge Mount**
- > **Flush Mount**

We can also offer customised sockets, which are bespoke made and developed for non-typical installations. To discuss your requirements with us, contact us on enquiries@reidlifting.com.

Sockets



Flush Mount



Bridge Mount



Side Mount



Top Mount

Height of Lift:
+264mm

Our sockets are part of a fall protection and personnel lifting system, which includes a REID Lifting Davit. Only sockets manufactured by REID Lifting may be used with our Davit's. Failure to use REID sockets will invalidate any product certification and warranty and exposes the user to unnecessary and unwarranted risk. Before fixing always consult a structural engineer to confirm suitability for the loads that will be imposed during use, allowing for the required safety factors.

> Pedestals

Our pedestal sockets are similar to top mount sockets and are manufactured from lightweight aluminium. Our pedestals are designed to provide additional lift height or reach over obstacles, protective rails or walls.

We offer pedestals which are suitable for use with our 65mm kingpin davit range.

Our pedestals are available in three standard sizes:

- > 500mm
- > 800mm
- > 1100mm

They can also be customised to meet our customers' specific requirements. To discuss your requirements with us, contact us on enquiries@reidlifting.com.

> Socket Extensions

Our socket extensions are designed to provide additional lift height or reach over obstacles, protective rails or walls for 65mm socket/kingpin davits. Made from lightweight aluminium alloy, with handles for lifting and carrying, they're designed to be easy to use. Simply insert them into the existing socket and assemble a standard davit, as normal, using the extension as its socket.

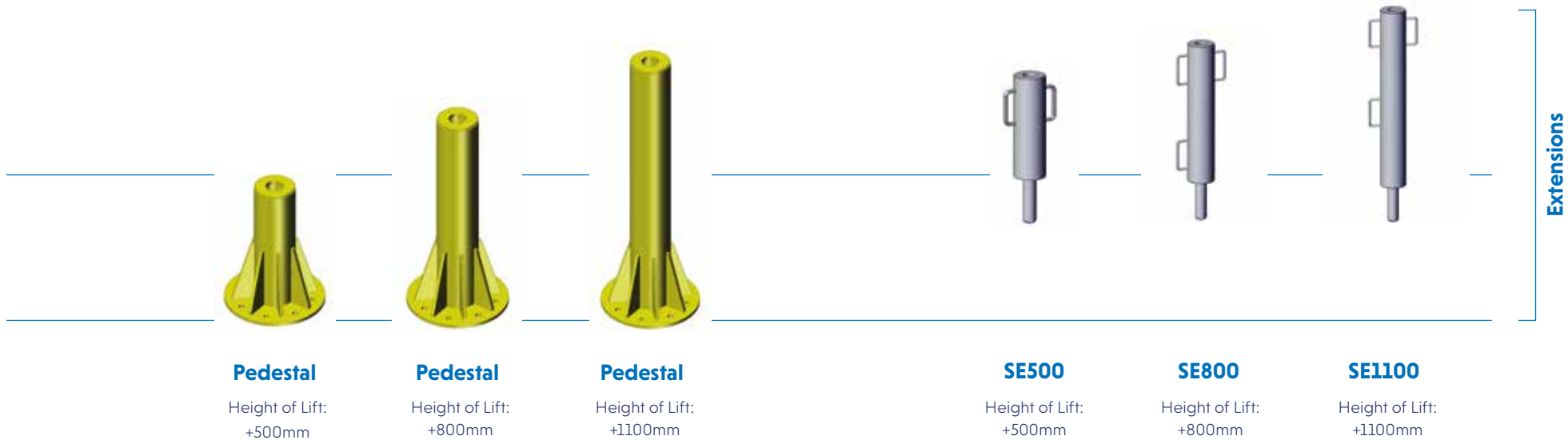
Our socket extensions are available in three standard sizes:

- > 500mm
- > 800mm
- > 1100mm

They can also be customised to meet our customers' specific requirements.

*When fixing sockets to structures, customers must always seek the guidance of a suitably qualified engineer to ensure that the structure is able to support the required loads.

** Socket extensions are only suitable to be used with our socket range and cannot be used with a pedestal. For further information please contact your REID representative.



Disclaimer: All REID sockets & extensions have been designed, developed and tested for safe use with REID's equipment and form a key part of the integrity of the total system. Should non-standard third party sockets be used, REID Lifting's Declaration of Conformity & Incorporation on the products is negated. i.e. The system becomes the responsibility of the client.

› Top Mount Socket

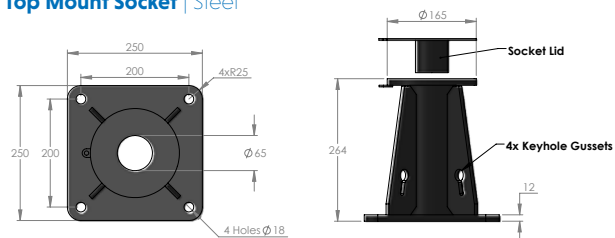


› Key Features

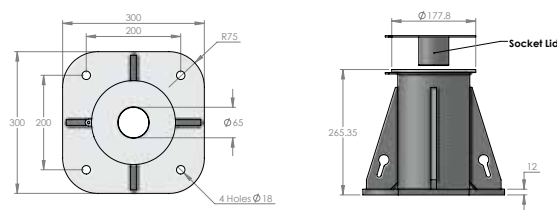
- › Suitable for use with our full davit range
- › EN795:2012 certified and meets requirements of IRATA ICOP
- › Galvanised Steel Top Mount[STMG0500] meets requirements of BS8610:2017
- › Secured using 4nr. M16 anchors [not supplied]
- › Suitable for bolting into existing concrete, steel structures or through fixing in other substrates
- › Comes complete with cover

Product Code	Description	Material	Weight [kg]	Diameter [mm]
STMG0500	Socket Top Mount 65 GMS	Galvanised Steel	13	65
STMS0500	Socket Top Mount 65 316SS	Stainless Steel	17	65
STMA0500	Socket Top Mount 65 Aluminium Anodised	Aluminium	9	65
STMG1000	Socket Top Mount 95 GMS	Galvanised Steel	29	95
STMS1000	Socket Top Mount 95 316SS	Stainless Steel	30	95

Top Mount Socket | Steel



Top Mount Socket | Aluminium



› Side Mount Socket

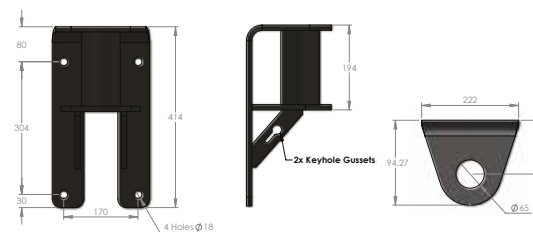


› Key Features

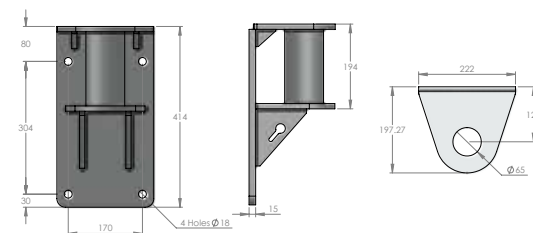
- › Suitable for use with our full davit range
- › EN795:2012 certified and meets requirements of IRATA ICOP
- › Galvanised Steel Side Mount[SSMG0500] meets requirements of BS8610:2017
- › Secured using 4nr. M16 anchors [not supplied]
- › Suitable for mounting on the side of concrete or steel structures
- › A brace plate can be supplied for thin-walled concrete

Product Code	Description	Material	Weight [kg]	Diameter [mm]
SSMG0500	Socket Side Mount 65 GMS	Galvanised Steel	13	65
SSMS0500	Socket Side Mount 65 316SS	Stainless Steel	17	65
SSMA0500	Socket Side Mount 65 Aluminium Anodised	Aluminium	6	65
SSMG1000	Socket Side Mount 95 GMS	Galvanised Steel	30	95
SSMS1000	Socket Side Mount 95 316SS	Stainless Steel	29	95

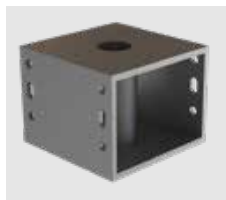
Side Mount Socket | Steel



Side Mount Socket | Aluminium



› Bridge Mount Socket

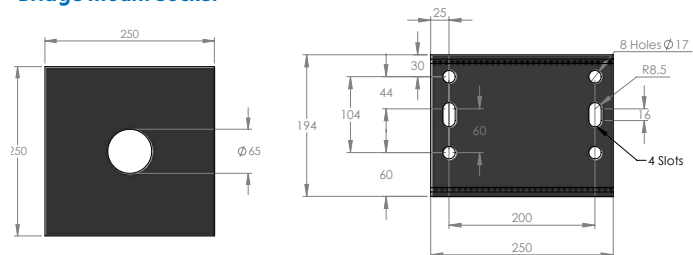


› Key Features

- › Suitable for use with 65mm REID davits
- › EN795:2012 certified and meets requirements of IRATA ICOP
- › Secured using 4nr. M16 anchors [not supplied]
- › Suitable for bolting into steel structures
- › Designed to fit open mesh grating or flush with structural steel work

Product Code	Description	Material	Weight [kg]	Diameter [mm]
SBMG0500	Socket Bridge Mount 65 GMS	Galvanised Steel	19	65
SBMS0500	Socket Bridge Mount 65 316SS	Stainless Steel	19	65
SBMA0500	Socket Bridge Mount 65 Aluminium Anodised	Aluminium	7	65

Bridge Mount Socket



› Flush Mount Socket

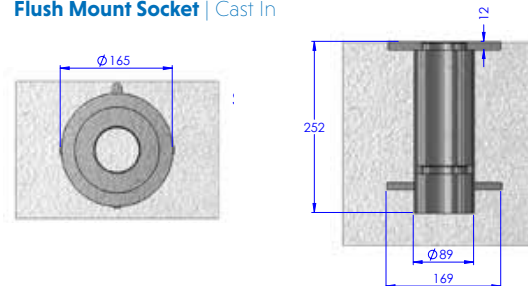


› Key Features

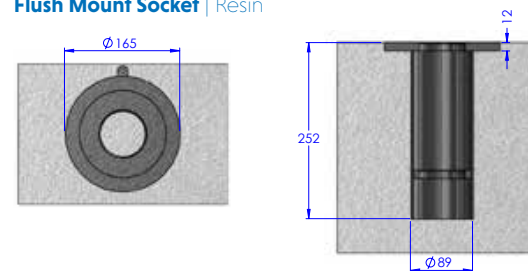
- › Suitable for use with our full davit range
- › EN795:2012 certified and meets requirements of IRATA ICOP
- › Suitable for resin fixing into existing concrete
- › Complete with cover and re-bars, for casting into concrete

Product Code	Description	Material	Weight [kg]	Diameter [mm]
SFMG0500	Socket Flush Mount 65 GMS	Galvanised Steel	5	65
SFMS0500	Socket Flush Mount 65 316SS	Stainless Steel	4	65
SFRG0500	Socket Flush Mount Resin Bond 65 GMS	Galvanised Steel	5	65
SFRS0500	Socket Flush Mount Resin Bond 65 316SS	Stainless Steel	4	65
SFMG1000	Socket Flush Mount 95 GMS	Galvanised Steel	9,5	95
SFMS1000	Socket Flush Mount 95 316SS	Stainless Steel	9,5	95
SFRG1000	Socket Flush Mount 95 Resin Bond GMS	Galvanised Steel	9,5	95
SFRS1000	Socket Flush Mount 95 Resin Bond 316SS	Stainless Steel	9,5	95

Flush Mount Socket | Cast In



Flush Mount Socket | Resin



> Socket Extensions

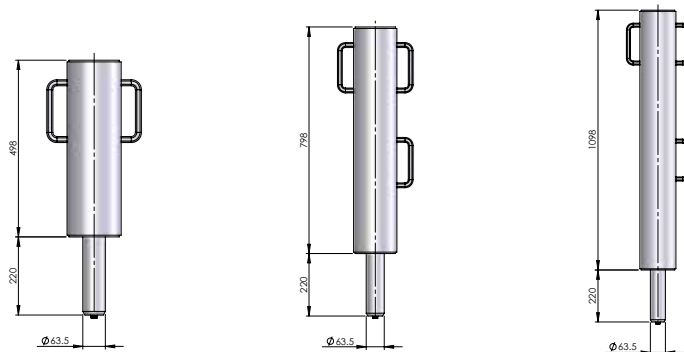


> Key Features

- > Can be used with 65mm REID davits combined with 65mm fixed sockets
- > EN795:2012 certified up to 1600mm radius
- > Meets requirements of IRATA ICOP up to 1200mm radius
- > Integrated carry handles
- > Safe use features
- > Maintenance free
- > Manual handling compliant

Product Code	Description	Material	Weight [kg]	Height [mm]
SE0500-0500	Socket Extension 500	Aluminium	12	500
SE0500-0800	Socket Extension 800	Aluminium	15	800
SE0500-1100	Socket Extension 1100	Aluminium	17	1100

Socket Extensions



> Socket Pedestals

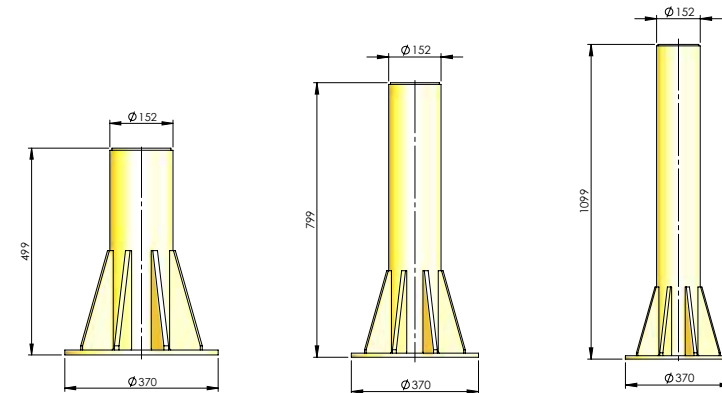


> Key Features

- > Suitable for use with 65mm REID davits
- > EN795:2012 Certified up to 1600mm radius
- > Secured using 4nr. M16 or M20 anchors [not supplied]
- > Meets requirements of IRATA ICOP up to 1200mm radius
- > Safe use features
- > Maintenance free
- > Manual handling compliant

Product Code	Description	Material	Weight [kg]	Diameter [mm]
SP0500-0500	Socket Pedestal 65 500mm	Aluminium	17	500
SP0500-0800	Socket Pedestal 65 800mm	Aluminium	19	800
SP0500-1100	Socket Pedestal 65 1100mm	Aluminium	19	1100

Socket Pedestals



> PORTABASE Trench Mount Socket



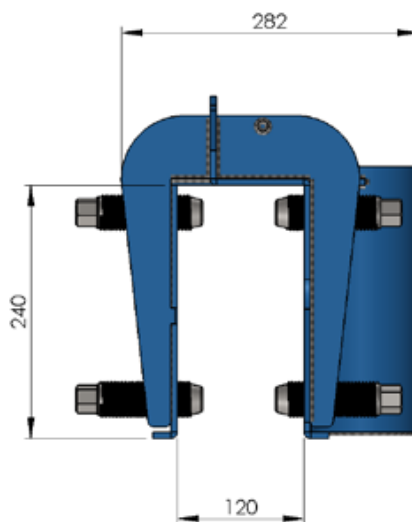
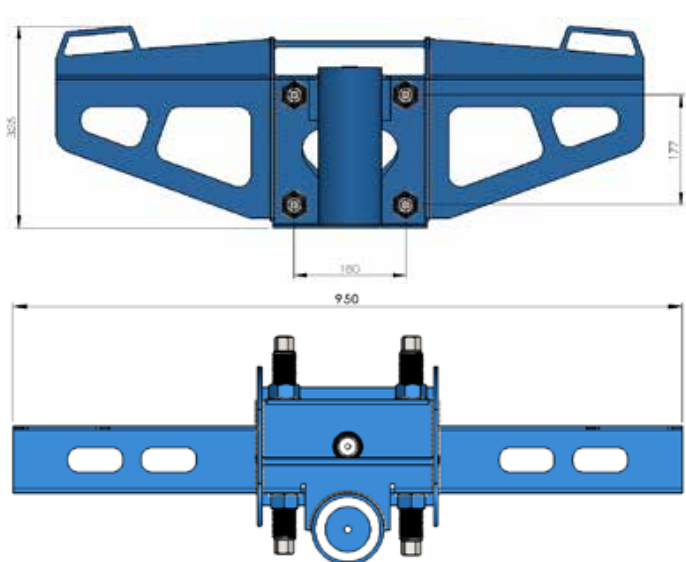
> Key Features

- > EN795:2012 Type B certified
- > Suitable for use with Davits up to a radius of 1200mm
- > Fall arrest capacity – 1 user
- > Personnel capacity up to 250kg*
- > Goods capacity up to 500kg*
- > Galvanised steel construction and powder coated finish
- > Designed for use in trenching and shoring applications subject to structural validation

*Dependant on Davit Operational Arc [See Assembly & Operation Guide for further information]

Product Code	Description	Material	Weight [kg]	Diameter [mm]
PBTM00001	Porta Base Trench Mount - Max 1200mm Radius	Galvanised Steel	25	65

Trench Mount Socket



Other products of the VINCA group

- **Bridge Cranes**

- Monorail, Double Girder, Light Crane or Bridge Crane Kit

- **Gantry Cranes**

- Automotive Gantry Cranes, Lightweight Gantry

- **Rotating Booms**

- Portable, Manual, Motorized, Column

- **Winches**

- Electric, manual, drill operated

- **Hoists**

- Manual, Pneumatic, Chain Electric, Cable Electric

- **Accessories for Bridge Cranes**

- Claws, Hooks, Spreader
- Dynamometers
- Turner / Tilter ü Radio Controls

- **Carts**

- **Forklifts and Vertical Lifters**

- Mixed lifts
- Automatic Lifts
- Lifts (PLT)
 - Single Frame, Double Frame

- **Scissors Lifting Tables**

- Standard, Reinforced, Electromechanical, Special
- Lifts for working at height

- **Loading Docks**

- Loading Dock Shelters
- Loading Ramps
- Mobile Ramps (RMC), Automatic, Adjustable
- Safety Equipment
 - Vehicle Immobilizers, DOK-GUARDIAN Safety Barriers, Spotlights, Trailer Stands.

- **Industrial Doors**

- Flexible Doors, Fast, Refrigerated, White Rooms, Sectionals, Firewalls.
- Gates and Locks

- **Turners, Inverters and Levelers**

- Pallet Inverter INVERTER ü NIVELMATIC Levelers
- Tilters INCLINATOR
- Tilters
- SKIPS for Transvases

- **Industrial Load Handler**

- Hook Manipulators VACU-LIFT ü Vacuum Manipulators
- Weightless Manipulators ü Mobile Lifts
- Suspension Systems

- **Industrial Fans**

- **Mobile Power Lines**

- **SAT Service**

- Maintenance, Repair



ATEX finish of the equipment on request

BARCELONA

Tel 93 635 61 20

Fax 93 635 61 30

info@vinca.es

MADRID

Tel: (+34) 616 91 69 82

madrid@vinca.es

VALENCIA

Tel: (+34) 647 817 537

valencia@vinca.es

GALICIA

Tel: (+34) 648 923 832

galicia@vinca.es

C/ Técnica, 39

Pol. Ind. Torre Bovera

08740 St. Andreu de la Barca

BARCELONA

www.vinca.es

