

Tilters, Inverters and Leveler

82.0

Tilters 90°



Content

Tilters, Inverters and Levelers

VOLPRO 90°	3
Inverter 90°	5

Tilters, Inverters and Levelers

VOLPRO 90°

Product specifications:

Rotation

90°

Capacity

From 1 ton to 65 tons

Option to customized capacities.

Turning time

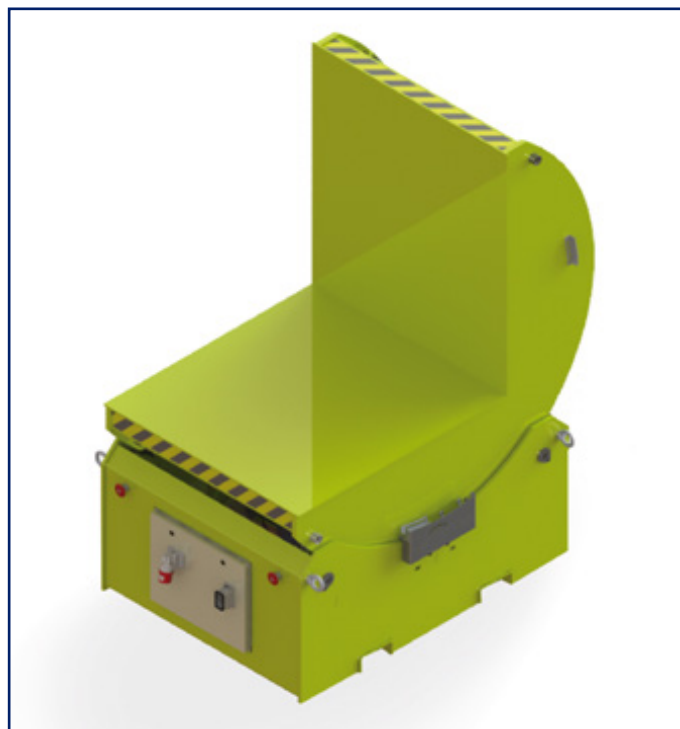
Depending on models (ap. 20 sec.)

Control

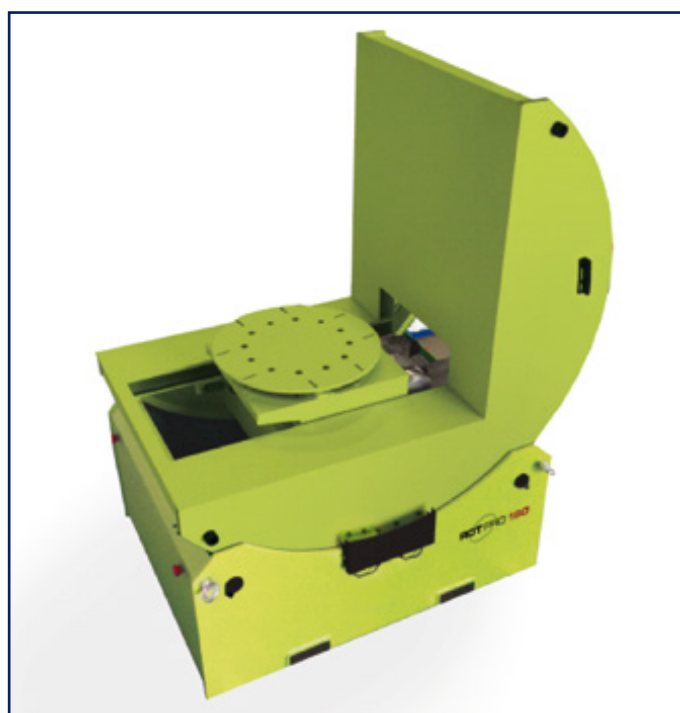
- Remote control
- Control pendant
- Fixed panel

Other considerations

- Option to customized designs (dimensions, capacities, features,...).
- Protections to avoid damaging the load.
- Distribution of holes for lock the load.
- Fast mass connector for welding processes.
- Rot Pro 180, to rotate 180°.



VOLPRO 90: Tilter 90°



VOLPRO 180: Tilter 90° with Rotator 180°.

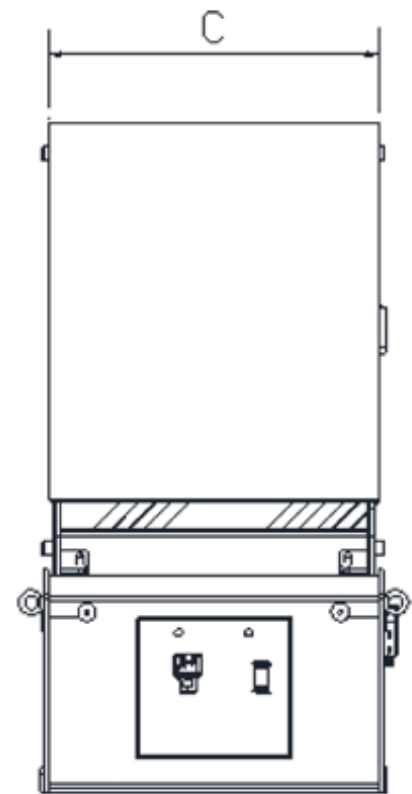
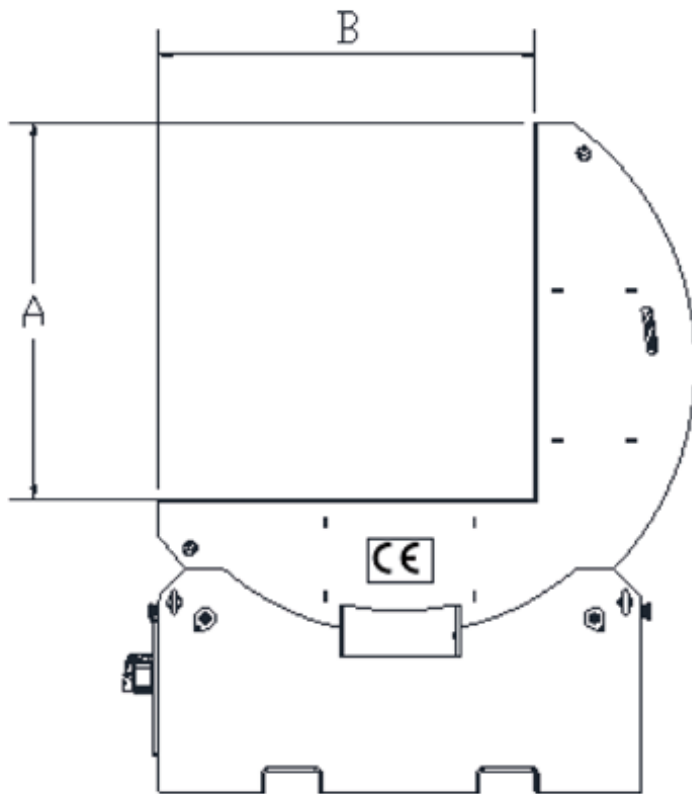
Tilter 90°

Tilters, Inverters and Levelers

Tel: (+34) 93 635 61 20
info@vinca.es
www.vinca.es

VINCA
EQUIPOS INDUSTRIALES

Standard Models



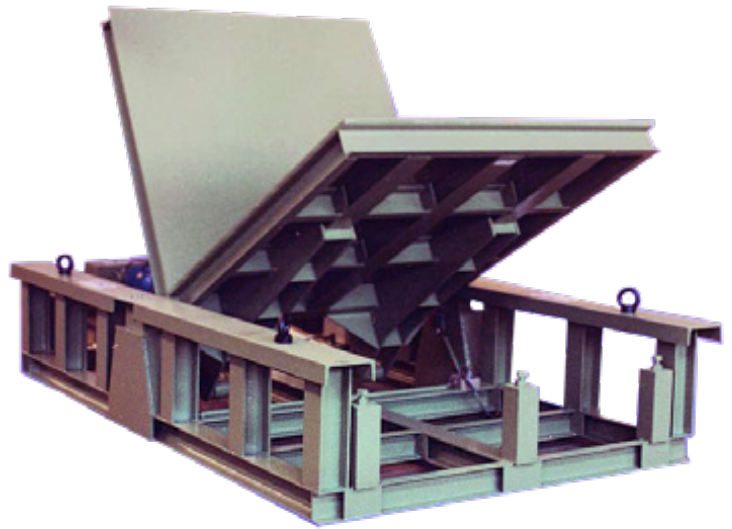
	CAPACITIES (Tn)				
	3	5	10	15	20
MODEL	VOLPRO 90-3	VOLPRO 90-5	VOLPRO 90-10	VOLPRO 90-15	VOLPRO 90-20
A [mm]	1100	1100	1500	1500	1800
B [mm]	1100	1100	1500	1500	1800
C [mm]	1020	1020	1250	1500	1500
CMU (KG)	3000	5000	10000	15000	20000

Inverter 90°

To go from vertical to horizontal position or vice versa.

For example:

- Turning of sheet metal coils, steel strip, paper coils, cardboard and containers.
- Change of position of food or pharmaceutical products.
- In manufacturing, storage or transport processes, where it is convenient to modify the position of the products.

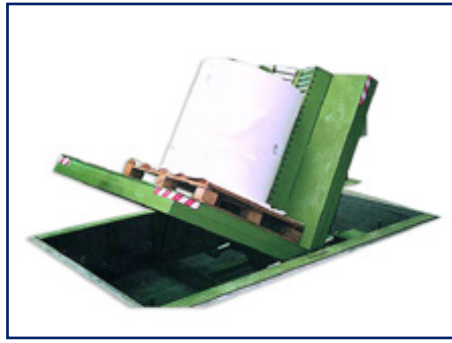
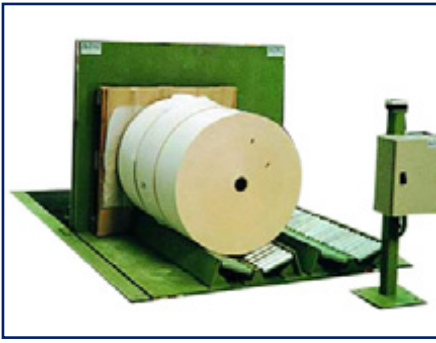


It adapts to any demand. Basket turner.

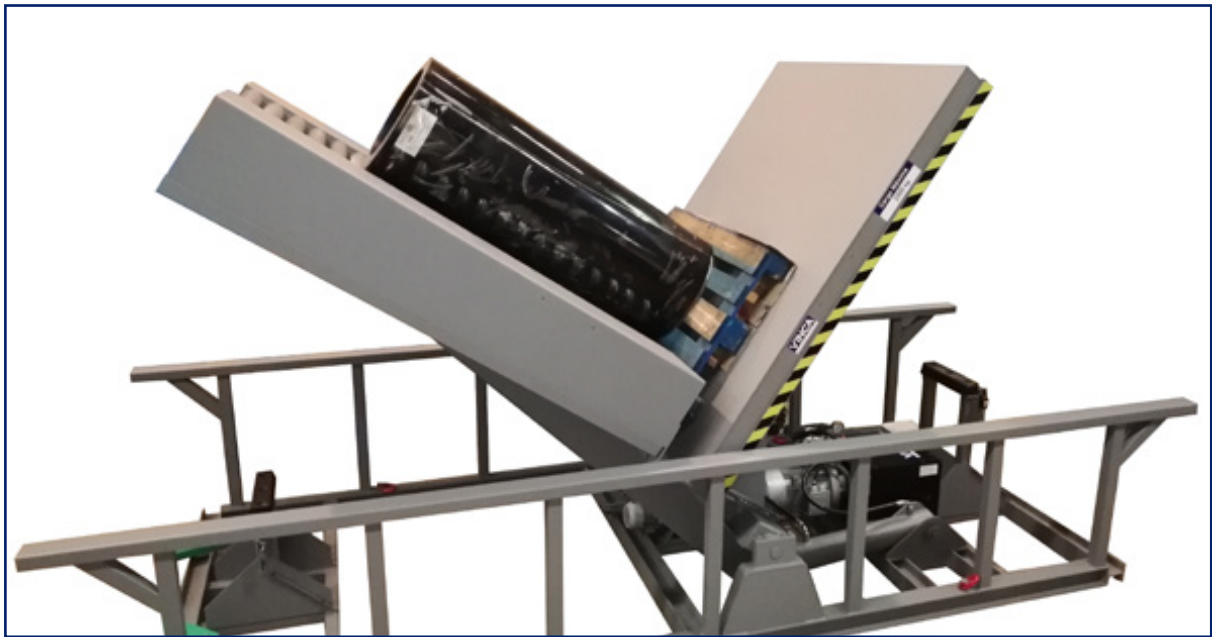
Other models are manufactured under request.



subject to changes.



Nuestros Inclinaidores son equipos seguros, fiables y precisos.
Se diseñan, construyen e instalan con total garantía. Las gamas de potencias va desde 500 Kgs hasta 32 t.



VINCA products

- Bridges crane and gantry cranes
- Jib cranes
- Hoists and winches
- Scissor Tables and scissor lifts
- Elevators/Lifts for loads (PLT)
- Dock levelers
- Moving Dock levelers (RMC)
- Coats Furniture
- Wheel-lok (Vehicle Immobilizer)
- Safety equipment for docks
- Vacuum lifters VACU-LIFT
- Industrial Manipulators
- Pallet Inverters /Tippers
- Levelers NIVELMATIC
- Tilters inclinador
- Skips
- Industrial fans
- Industrial flexible doors, high speed doors
- Cold storage doors
- Fire doors
- Safety gates DOK-GUARDIAN
- Festoon for mobile equipment
- Lifting appliances
- Industrial Radio Controls
- After Sales Service for above equipment

⊕ ATEX classified equipment as option.



VINCA

EQUIPOS INDUSTRIALES

C/ Técnica, 39
 Pol. Ind. Torre Bovera
 08740 Sant Andreu de la Barca
 BARCELONA
www.vinca.es

BARCELONA

T. (+34) 93 635 61 20
 F. 93 635 61 30
info@vinca.es

MADRID

T. (+34) 616 91 69 82
madrid@vinca.es

VALENCIA

T. (+34) 647 817 537
valencia@vinca.es

GALICIA

T. (+34) 648 923 832
galicia@vinca.es

